

DESCRIPTION

The geometric form of MESA LED allows it to adapt to either contemporary or traditional architectural settings. Available in single or twin pole mount configurations with optional wall mounting capability, MESA mounting options allow for harmonized site design whether at the entryway or in the parking lot. UL and cUL listed for use in wet locations.

Catalog #		Type
Project		
Comments		Date
Prepared by		

SPECIFICATION FEATURES

Construction

HOUSING: Die-cast aluminum main housing and spider mount base maintain a minimum Ø.125 wall thickness. Integral aluminum heat sink provides superior thermal heat transfer in +40°C ambient environments. **DOOR ASSEMBLY:** Top mounted, heavy wall, die-cast aluminum door maintains a nominal Ø.125 thickness. Door includes a self retaining interior hinge. **GASKET:** Continuous silicone gasket provided to seal housing door assembly and optic tray. **LENS:** Downlight lens is LED board integrated acrylic over-optics, each individually sealed for IP66 rating. **HARDWARE:** Four (4) inset fasteners on underside of housing provide access to luminaire interior. Concealed, stainless steel four (4) bar hinge lock allows door to lock in the open position.

Optics

DISTRIBUTION: Downlight distribution offers a choice of fifteen (15) high efficiency AccuLED optical systems, featuring patent pending designs that maximize light collection and directional distribution onto the application region. Each optical lens is precision manufactured via

injection molding then precisely arranged and sealed on the board media. **LED's:** High output LED's, 50,000+ hours life at >70% lumen maintenance, offered standard in 4000°K (+/- 275K) CCT and >70 CRI. **OPTICAL ASSEMBLY:** Mesa LightBAR optic tray is removable and able to rotate 360° in 90° increments for specific placement of the distribution relative to fixture.

Electrical

DRIVER: LED drivers are potted and heat sunk for optimal performance and prolonged life. Standard drivers feature electronic universal voltage (120-277V/50-60hz), greater than 0.9 power factor, less than 20% harmonic distortion and feature ambient temperature range of +40°C (104°F) down to minimum starting temperature of -30°C (-22°F). Shipped standard with Cooper Lighting proprietary circuit module designed to withstand 10kV of transient line surge. All LED LightBARS and drivers are mounted to dedicated mounting trays and are easily replaced by use of quick disconnects for ease of wiring. Driver tray is removeable without the use of tools. Options to control light levels, energy savings and egress capabilities (battery

pack and separate circuit) are available.

Mounting

Fitter assembly mounts over 3" OD tenon and is secured via (3) concealed stainless steel set screws. Design of fitter provides seamless transition to 4" round poles. Additional mounting accessories include a dual fixture post top mounting arm and wall mount arm.

Finish

Housing is finished in 5 stage super premium TGIC polyester powder coat paint, 2.5 mil nominal thickness for superior protection against fade and wear. LightBAR™ cover plates are standard white and may be specified to match finish of luminaire housing. Standard colors include black, bronze, grey, white, dark platinum and graphite metallic. RAL and custom color matches available. Consult Outdoor Architectural Colors brochure for a complete selection.

Warranty

Mesa LED features a 5 year limited warranty.

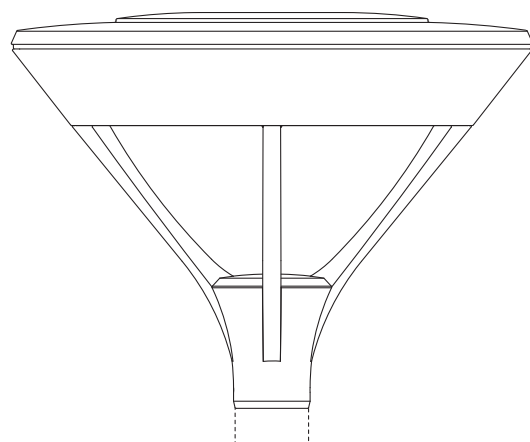


**PMM
MESA LED**

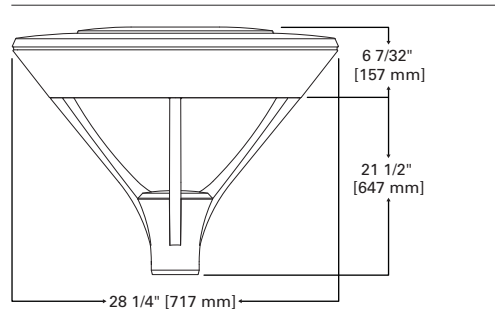
**1-6 LightBARS
Solid State LED**

DECORATIVE LUMINAIRE

Sustainable Design



DIMENSIONS



CERTIFICATION DATA

40°C Ambient Temperature Rating
U.L. and cUL Listed
ISO 9001
IP66 LightBARS
ARRA Compliant

ENERGY DATA

Electronic LED Driver
>0.9 Power Factor
<20% Total Harmonic Distortion
120-277V/50 & 60hz, 347V/60hz,
480V/60hz
-30°C Minimum Temperature

EPA

Effected Projected Area
1.1

SHIPPING DATA

Approximate Net Weight:
50 lbs. (22.7 kgs.)

POWER AND LUMENS BY BAR COUNT

# of Bars	System Watts	Type SL2 Lumens	Type SL3 Lumens	Type SL4 Lumens	Type 5WQ Lumens	Ambient Temperature	Lumen Multiplier
1 Bar	26	1,626	1,724	1,677	1,866	10°C	1.04
2 Bars	53	3,252	3,447	3,354	3,735	15°C	1.03
3 Bars	80	4,878	5,170	5,031	5,602	25°C	1.00
4 Bars	103	6,504	6,894	6,708	7,469	40°C	0.96
5 Bars	129	8,130	8,617	8,385	9,337		
6 Bars	156	9,837	10,426	10,146	11,228		

NOTE: Lumen values based upon 4000K CCT, 350mA drive current, 25°C ambient operating temperature.

ORDERING INFORMATION

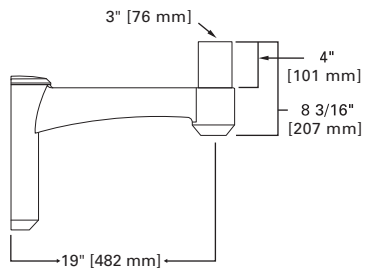
SAMPLE NUMBER: PMMA04LEDEUT3SAP

PMM	LED							
Product Family PMM=Mesa								
Number of Lightbars ¹ A01=1 Bar A02=2 Bars A03=3 Bars A04=4 Bars A05=5 Bars A06=6 Bars								
Lamp Type LED=Solid State Light Emitting Diodes								
Ballast Type E=Electronic								
Voltage U=Universal (120-277V) 8=480V ² 9=347V ²								
				Distribution T2A=Type II Area T3A=Type III Area T4S=Type IV Short 5WQ=Type V Square wide 5WR=Type V Round Wide 5MQ=Type V Square Medium 5MR=Type V Round Medium 5XQ=Type V Square Extra Wide SL2= Type II w/Spill Control SL3=Type III w/Spill Control SL4=Type IV w/Spill Control SLR=90° Spill Light Eliminator Right SLL=90° Spill Light Eliminator Left		Colors ³ AP=Grey BK=Black BZ=Bronze DP=Dark Platinum GN=Hartford Green GM=Graphite Metallic WH=White	Options (add as suffix) 4=NEMA Photocontrol Receptacle 3=Three position Terminal Block U=UL Listed/CSA Certified 7060=70 CRI/6000K ⁴	Accessories (order separately/replace XX with color designation) VA6028-XX=Dual Mount Arm [EPA 1.38] VA6029-XX=Wall Mount Arm OA/RA1016=NEMA Photocontrol - Multi-Tap OA/RA1027=NEMA Photocontrol - 480V OA/RA1201=NEMA Photocontrol - 347V OA1223=10kV Circuit Module Replacement

NOTE: 1 Standard 4000K CCT and >70 CRI.
2 Consult factory for availability.
3 Custom and RAL color matching available upon request. Consult Cooper Lighting Representative for further information.
4 Consult factory for lead times and lumen multiplier.
5 Specifications and dimensions subject to change without notice.

ACCESSORIES

WALL MOUNT ARM



DUAL MOUNT ARM [EPA 1.36]

