

## DESCRIPTION

The classic lines and sophisticated construction of Vision Site LED makes it an ideal complement to site design. Offering LED technology across AVS and AVM, Vision provides true family scaling in both physical form and lumen capability for architectural site lighting applications. UL and cUL listed for use in wet locations.

<b>Catalog #</b>		<b>Type</b>
<b>Project</b>		
<b>Comments</b>		<b>Date</b>
<b>Prepared by</b>		

## SPECIFICATION FEATURES

### Construction

**HOUSING:** Heavy wall, one piece die-cast aluminum housing has precise tolerance control and repeatability in manufacturing. Housing features a partition wall that isolates driver components for cooler operation. Integral aluminum heat sink provides superior heat transfer in +40°C ambient environment. **DOOR:** One-piece die-cast aluminum construction with toolless release latch. Door swings down and is retained on two (2) catch hinges. **GASKET:** Continuous gasket provided to seal housing to optic tray. **LENS:** Downlight lens is LED board integrated acrylic over-optics, each individually sealed for IP66 rating. **HARDWARE:** Toolless release button latches are stainless steel/aluminum construction, painted to match housing and allows access to internal housing and electrical components.

### Optics

**DISTRIBUTION:** Primary downlight distribution offers a choice of seventeen (17) high efficiency AccuLED optical systems patent pending that maximize light collection and directional distribution onto the application region. Each optical lens is precision manufactured via injection molding then precisely arranged and sealed on the board media. **LED's:** High output LED's,

50,000+ hours life at >70% lumen maintenance, offered standard in 4000°K (+/- 275K) CCT and >70 CRI. LightBAR optic tray is able to rotate 360° in 90° increments for specific placement of the distribution relative to fixture.

### Electrical

**DRIVER:** LED drivers are potted and heat sunk for optimal performance and prolonged life. Standard drivers feature electronic universal voltage (120-277V/50-60Hz), greater than 0.9 power factor, less than 20% harmonic distortion and feature ambient temperature range of +40°C (104°F) down to minimum starting temperature of -30°C (-22°F). Shipped standard with Cooper Lighting proprietary circuit module designed to withstand 10kV of transient line surge. All LED LightBARS and drivers are mounted to dedicated mounting trays and are easily replaced by use of quick disconnects for ease of wiring. Driver tray is hinged and removable without the use of tools. Options to control light levels, energy savings and egress capabilities (battery pack and separate circuit) are available.

### Mounting

**ARM:** One-piece extruded aluminum arm available in standard 6" and 10" lengths. Internal bolts guides allow easy positioning of fixture during

installation to pole or wall surface. **STRUCTURAL MOUNT:** Die-cast aluminum cleat factory mounted to luminaire and finished in luminaire color. Stainless steel structural rod measures 1/2" in diameter and is provided in luminaire finish color or optional natural finish. Product works in conjunction with dedicated accessory arms (ordered separately). Invue poles are provided pre-drilled when structural mount option drill pattern is specified. See Invue poles section for complete selection. Additional mounting accessories available.

### Finish

Housing is finished in 5 stage super premium TGIC polyester powder coat paint, 2.5 mil nominal thickness for superior protection against fade and wear. LightBAR™ cover plates are standard white and may be specified to match finish of luminaire housing. Standard colors include black, bronze, grey, white, dark platinum and graphite metallic. RAL and custom color matches available. Consult Outdoor Architectural Colors brochure for a complete selection.

### Warranty

AVM LED features a 5 year limited warranty.



## AVM VISION SITE MEDIUM LED

1 - 6 LightBARS  
Solid State LED

ARCHITECTURAL LED  
AREA/SITE LUMINAIRE

SustainableLEDesign™

### CERTIFICATION DATA

40°C Ambient Temperature Rating  
UL and cUL Listed  
ISO 9001  
IP66 LightBARS  
ARRA Compliant

### ENERGY DATA

**Electronic LED Driver**  
>0.9 Power Factor  
<20% Total Harmonic Distortion  
120-277V/50 & 60hz, 347V/60hz,  
480V/60hz  
-30°C Minimum Temperature

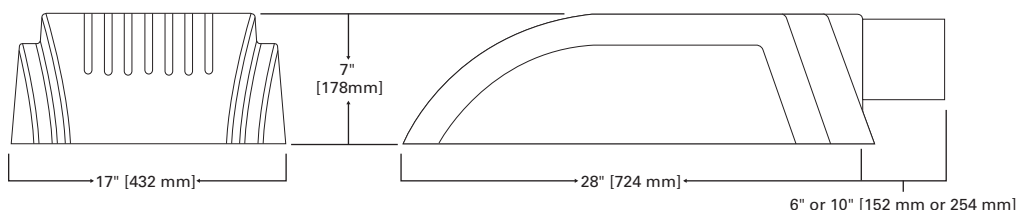
### EPA

**Effective Projected Area:** (Sq. Ft.)  
**Single:** ~ 1.6 (max.)  
**Single Structural:** ~ 1.82 (max.)

### SHIPPING DATA

**Approximate Net Weight:**  
51 lbs. (23.18 kgs.)

## DIMENSIONS

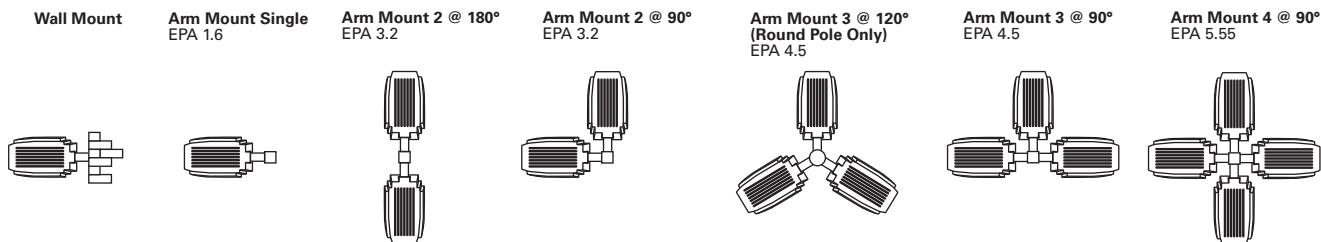


**POWER AND LUMENS BY BAR COUNT**

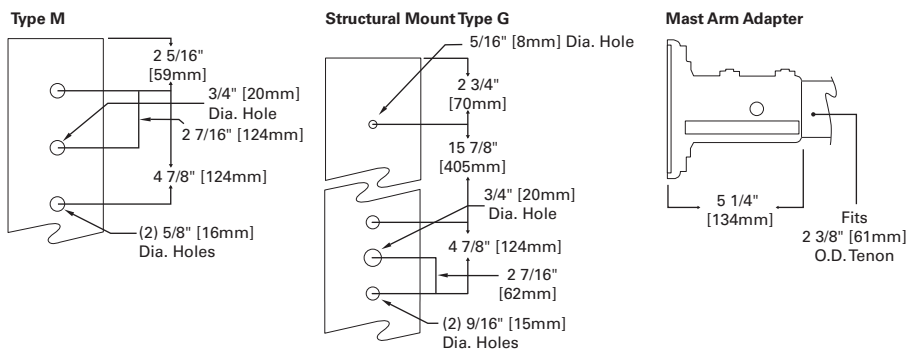
# of Bars	System Watts	Type SL2 Lumens	Type SL3 Lumens	Type SL4 Lumens	Type 5WQ Lumens	Ambient Temperature	Lumen Multiplier
1 Bar	26	1,626	1,724	1,677	1,866	10°C	1.04
2 Bars	53	3,252	3,447	3,354	3,735	15°C	1.03
3 Bars	80	4,878	5,170	5,031	5,602	25°C	1.00
4 Bars	103	6,504	6,894	6,708	7,469	40°C	0.96
5 Bars	129	8,130	8,617	8,385	9,337		
6 Bars	156	9,837	10,426	10,146	11,228		

NOTE: Lumen values based upon 4000K CCT, 350mA drive current, 25°C ambient operating temperature.

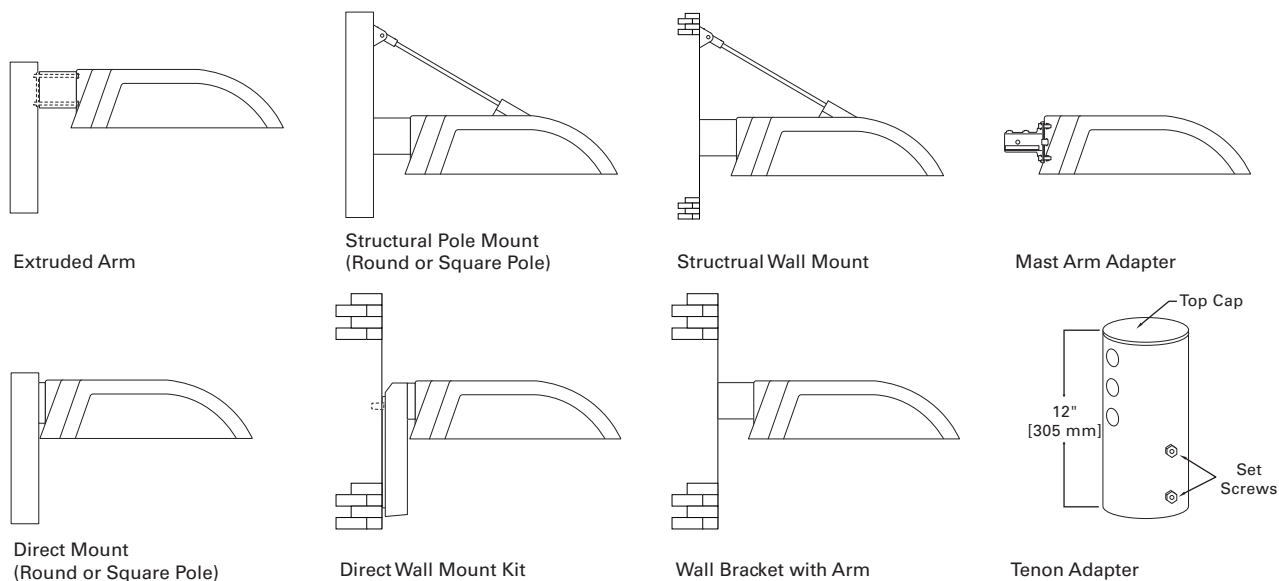
**MOUNTING VARIATIONS**



**POLE DRILLING PATTERNS AND MOUNTING OPTIONS**



**MOUNTING OPTIONS AND ACCESSORIES**



ORDERING INFORMATION

SAMPLE NUMBER: AVMA04LEDEUT3SAPCPS



**Product Family**<sup>1</sup>  
AVM=Vision Site Medium

**Number of Lightbars**<sup>2</sup>  
A01=1 Bar  
A02=2 Bars  
A03=3 Bars  
A04=4 Bars  
A05=5 Bars  
A06=6 Bars

**Lamp Type**  
LED=Solid State Light Emitting Diodes

**Ballast Type**  
E=Electronic

**Voltage**  
U=Universal (120-277V)  
8=480V<sup>3</sup>  
9=347V<sup>3</sup>

**Distribution**  
T2S=Type II Short  
T3S=Type III Short  
T4S=Type IV Short  
T2A=Type II Area  
T3A=Type III Area  
5WQ=Type V Square Wide  
5WR=Type V Round Wide  
5MQ=Type V Square Medium  
5MR=Type V Round Medium  
5XQ=Type V Square Extra Wide  
SL2=Type II w/Spill Control  
SL3=Type III w/Spill Control  
SL4=Type IV w/Spill Control  
SLR=90 Spill Light Eliminator Right  
SLL=90 Spill Light Eliminator Left

**Colors**<sup>4</sup>  
AP=Grey  
BK=Black  
BZ=Bronze  
DP=Dark Platinum  
GM=Graphite Metallic  
WH=White

**Structural Options**<sup>1,5</sup>  
CPS=Strut Rod/Square Pole<sup>6</sup>  
CSS=Strut Rod/Square Pole Stainless Steel<sup>6</sup>  
CPR=Strut Rod/Round Pole<sup>7</sup>  
CSR=Strut Rod/Round Pole Stainless Steel<sup>7</sup>  
CPW=Strut Rod/Wall Mount<sup>8</sup>  
CSW=Strut Rod/Wall Mount Stainless Steel<sup>8</sup>

**Options**  
(add as suffix)  
4=NEMA Photocontrol Receptacle  
3=Three position Terminal Block  
U=UL Listed/CSA Certified  
2L=2 Level Switching<sup>9</sup>  
7060=70 CRI 6000K<sup>10</sup>

**Accessories** (order separately)<sup>11</sup>  
SA1050-XX=6" Arm for Square Pole  
SA1051-XX= 10" Arm for Square Pole  
SA1052-XX=6" Arm for Round Pole  
SA1053-XX=10" Arm for Round Pole<sup>12</sup>  
SA1054-XX=Wall Bracket with 6" Arm<sup>13</sup>  
SA1056-XX=Direct Mount for Square Pole  
SA1057-XX=Direct Mount for Round Pole  
SA1201-XX=Direct Wall Mount Kit  
SA1207-XX=Mast Arm Adapter  
SA1231-XX=Structural Mount Wall Mount Arm<sup>14</sup>  
SA1017-XX=Single-arm Tenon Adapter for 2 3/8" O.D. Tenon  
SA1018-XX=2 @ 180° Tenon Adapter for 2 3/8" O.D. Tenon  
SA1019-XX=3 @ 120° Tenon Adapter for 2 3/8" O.D. Tenon  
SA1045-XX=4 @ 90° Tenon Adapter for 2 3/8" O.D. Tenon  
SA1048-XX=2 @ 90° Tenon Adapter for 2 3/8" O.D. Tenon  
SA1115-XX=3 @ 90° Tenon Adapter for 2 3/8" O.D. Tenon  
SA1116-XX=2 @ 120° Tenon Adapter for 2 3/8" O.D. Tenon  
SA1010-XX=Single-arm Tenon Adapter for 3 1/2" O.D. Tenon  
SA1011-XX=2 @ 180° Tenon Adapter for 3 1/2" O.D. Tenon  
SA1012-XX=3 @ 120° Tenon Adapter for 3 1/2" O.D. Tenon  
SA1013-XX=4 @ 90° Tenon Adapter for 3 1/2" O.D. Tenon  
SA1014-XX=2 @ 90° Tenon Adapter for 3 1/2" O.D. Tenon  
SA1015-XX=2 @ 120° Tenon Adapter for 3 1/2" O.D. Tenon  
SA1016-XX=3 @ 90° Tenon Adapter for 3 1/2" O.D. Tenon  
OA/RA1016=NEMA Photocontrol-Multi-Tap  
OA/RA1027=NEMA Photocontrol-480V  
OA/RA1201=NEMA Photocontrol-347V  
OA1223= 10kV Circuit Module Replacement

- NOTES:** 1 Arm not included. Order separately, see accessories.  
2 Standard 4000 K CCT and >70 CRI.  
3 Consult factory for availability.  
4 Custom and RAL color matching available upon request. Contact your customer service representative for further information.  
5 Add as suffix in the order shown.  
6 Compatible with 10" SA1051 arm only.  
7 Compatible with 10" SA1053 arm only.  
8 Wall mount structural options do not include arm assembly (see accessories). Compatible with 10" SA1231 arm only.  
9 Low-level output varies by bar count. Consult factory. Require quantity two or more LightBARS.  
10 Consult customer service for lead times and lumen multiplier.  
11 Order separately, replace XX with color suffix.  
12 Use when mounting fixture heads at 90° increments.  
13 For use in downlighting applications only.  
14 Includes arm only. Must specify CPW or CSW in fixture ordering logic. Downlight only.  
15 Specifications and dimensions are subject to change without notice.