



ELECTROSWITCH



Series 5000

Load Break Switches

Load Break Switches for Solar Power Applications



The Electroswitch Series 5000 "Load Break Switches" meet the stringent safety requirements found in solar power disconnect switch applications.

A fast transfer mechanism combined with self cleaning knife-type contacts assures safe, reliable switching.

Tested in accordance with IEC/EN60947-1 and -3 Standards, the Series 5000 provides excellent load carrying, switching and dielectric performance.

Features

- Stored Energy Fast Transition Make/Break Operation
- Silver Plated Contacts with Self Cleaning Action
- Load Current Interrupting (Inductive or Capacitive) to 1000Vdc/Vac
- High Withstand Current Capability with Short Circuit Rating to 100kA
- Overload Interrupt Current Up to 8 Times Continuous Rating
- High Voltage DC Capability with Double Break Contacts
- Enclosed Anti-Arc Chamber Surrounding Each Pole

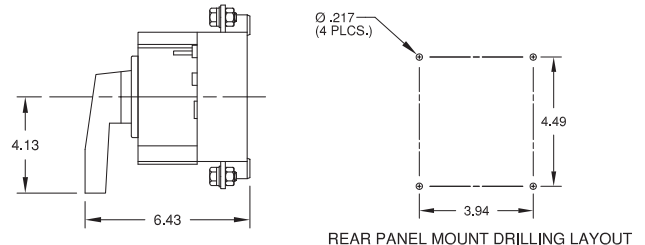
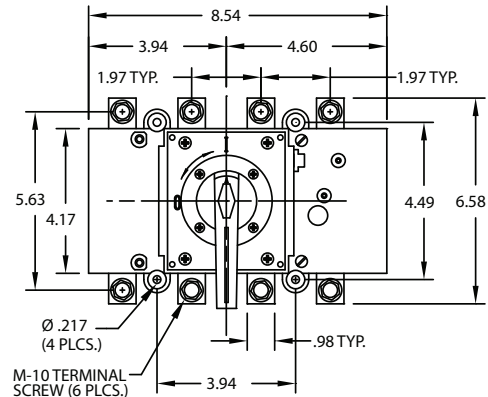
Benefits

- Safe and Reliable Load Switching
- Reduced Contact Wear
- Reliable Switch Position Indication
- Minimized Contact Arcing
- Excellent Thermal and Dielectric Performance Over Entire Current and Operating Temperature Ranges

Specifications

Interrupting Current Ratings	40 - 3200 Amps
Insulation Voltage Rating	up to 1000 Vdc/Vac
Rated Dielectric Strength	3500 – 8000 Vac
Impulse Withstand Voltage	8 - 12 kV
Rated Operational Voltage	up to 900Vdc
Tested to IEC / EN60947-1 and EN60947-3	

Example Model **S5-02504 PRO Load Break Switch** (250 Amp, 900 Vdc)



Required Ordering Information

Contacting	3 or 4 Poles
Indexing	90 Degree
Positions	2
Operating Voltage	800 or 900 V
Continuous Current Rating (Amps)	40, 80, 160, 250, 630, 800
Operator Handle Option	Pistol Grip [pad lockable], "T" Operate Handle [pad lockable]

Consult Factory for Additional Information

180 King Avenue • Weymouth, Massachusetts 02188 • Tel (781) 335-5200, FAX: (781) 335-4253 • www.electroswitch.com • info@electroswitch.com