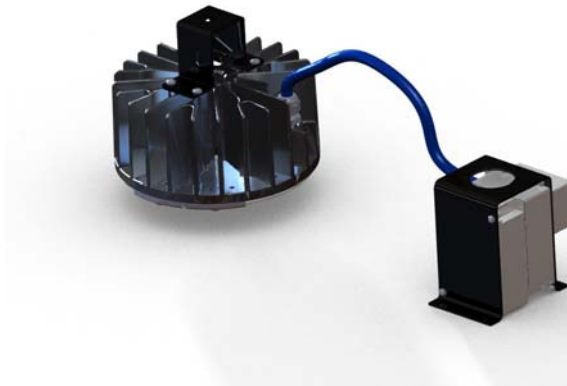


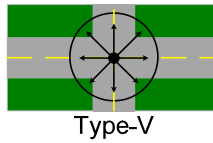
D6 LED Retrofit Kit



This SYLVANIA LED Retrofit Kit replaces high-intensity discharge (HID) lamps. By taking advantage of the directional light distribution of high power white LEDs, this revolutionary system delivers light only where needed. It is an ideal solution for communities that wish to convert their existing HID systems to an environmentally preferable technology that offers substantial energy and maintenance cost savings as well as dramatic improvements in light quality. It is mercury-free, lead-free, and eliminates service calls for cycling HID lamps.

Key Features & Benefits

- Reduces energy consumption up to 70%
- Provides significant maintenance cost savings by lasting 2-6 times longer than HID lamps
- Enhances light quality with better uniformity and color performance
- Type-V Medium light distribution
- 50,000 hours life at 70% lumen maintenance
- 120-277V AC input voltage at 60Hz with surge protection
- 5000K CCT, CRI 75
- UL1310 recognized Class 2 OPTOTRONIC® power supply
- Mercury free
- UV and IR free



Product Offering

Lamp Type	Wattage	Voltage	Light Distribution
LED50D6KIT/750/T5M/1G	50W	120-277	Type-V Medium

Application Information

Applications

Residential roadways, walkways and bikeways
Historic restorations and downtown business districts
Shopping centers, malls and plazas
College and business park campuses
Public lots and garages

Application Notes

- Maximum mean ambient operating temperature outside the fixture is 40°C
- Maximum ambient operating temperature outside the fixture can not exceed 60°C
- To prevent personal injury or product damage only licensed electricians should provide all installation services
- Please read installation manual before attempting installation

Specification Data

Catalog #	Type
Project	
Comments	
Prepared by	Date

Ordering Information

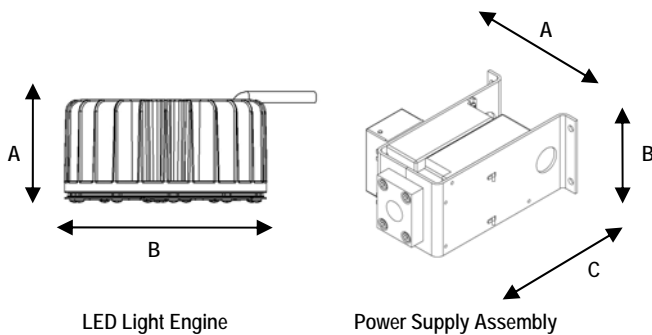
Item Number	Ordering Abbreviation	Nominal Wattage (W)	Input Voltage (V)	Power Factor ¹	Efficacy (lm/W) ²	Average Rated Life (Hours) ³	CCT ⁴	CRI	Operation Temperature	BUG Rating
TBD	LED50D6KIT/750/T5M/1G	50	120-277	0.95	70	50,000	5000K	75	-30°C to 40°C	U2 B2 G2

1. Power factor at 120V AC supply voltage
2. Thermally stable typical efficacy ($\pm 10\%$)
3. Hours lifetime with 70% lumen maintenance. Based on operation temperature at 104°F (40°C)
4. Thermally stable typical CCT ($\pm 10\%$)

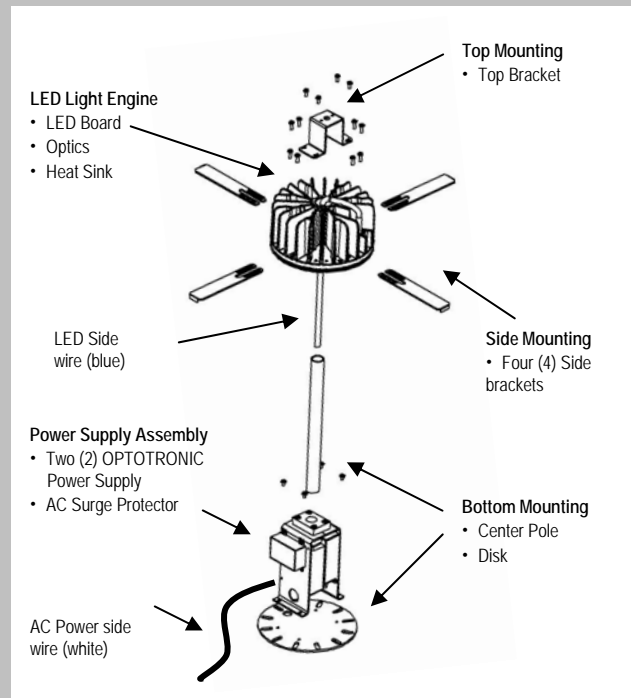
Ordering Guide

LED	50	D6KIT	/	750	/	T5M	/	1G
LED	Nominal Wattage: 50	LED Module: D6Kit		CRI, CCT 750: 75 CRI, 5000K CCT		Light Distribution: T5M: Type-V Medium		Generation: 1G: First Generation

Technical Information

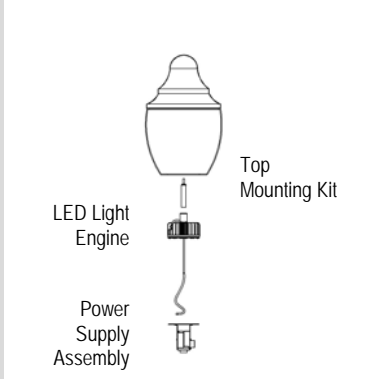
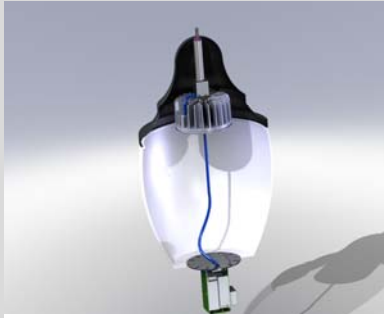


	(A) MOL (inches)	(B) Width (inches)	(C) Height (inches)
LED Light Engine	3.7	6.8	-
Power Supply Assembly	4.2	2.8	6.1"



Assembly Diagram

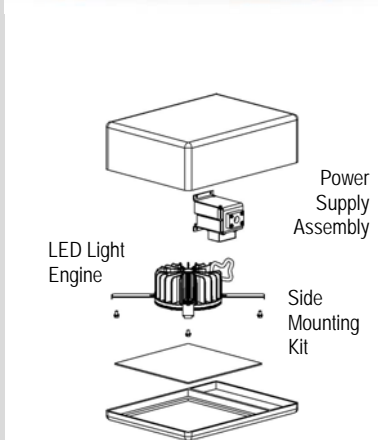
* Refer to Installation Manual for mounting instructions



TOP MOUNTING

Recommended fixtures:

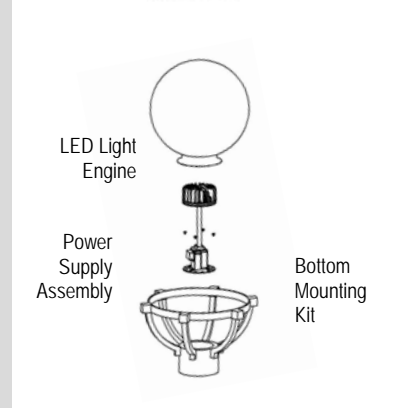
- Canopy light
- Cobra head
- High/Low bay
- Parking garage
- Pendant
- Post Top
- Shoe box
- Wall pack



SIDE MOUNTING

Recommended fixtures:

- Canopy light
- Cobra head
- High/Low bay
- Parking garage
- Pendant
- Post Top
- Shoe box
- Wall pack



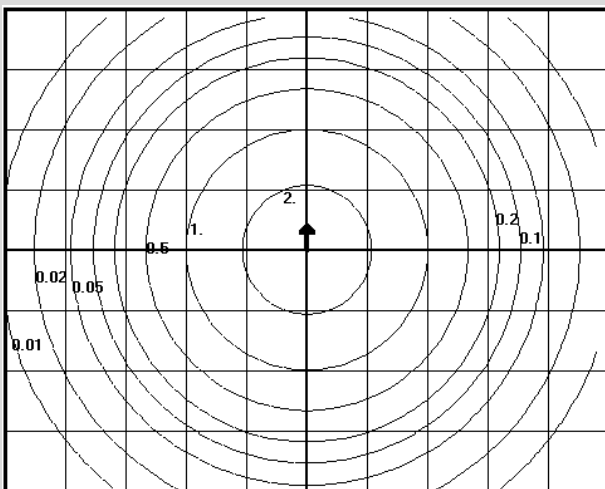
BOTTOM MOUNTING

Recommended fixture:

- Post Top

Photometric Distribution

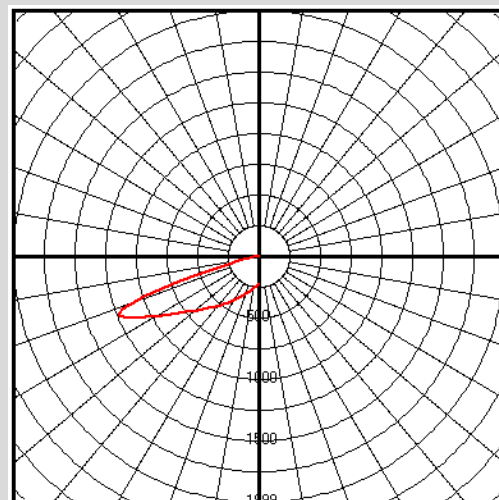
Illuminance Diagram (Without a fixture)



Illuminance in footcandles

Mounting Height = 10'
 Each box is one mounting height
 Type-V Medium, 5000K CCT
 (Distribution might change when fixture globe is present)

Luminous Intensity Distribution (Without a fixture)



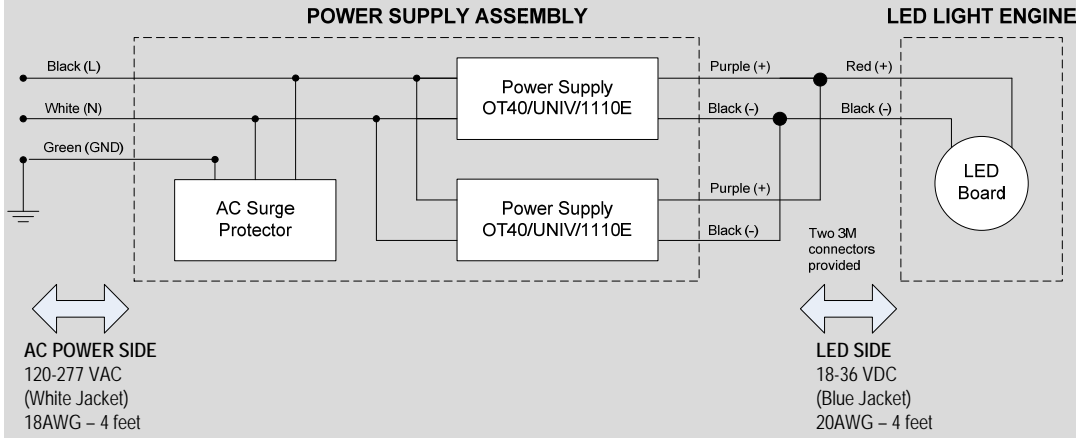
Intensity in candelas

Max. plane at H = 0. Max. cone at V = 67
 Max. candlepower = 1229
 Type-V Medium, 5000K CCT
 (Distribution might change when fixture globe is present)

Wiring Diagram

Notes:

1. AC surge protector, and OPTOTRONIC® power supplies are prewired in Power Supply Assembly



Warranty

Refer to OSI LED Retrofit Kit
Statement of Limiter Warranty

Power Supply Ordering Information

Item Number	Ordering Description	IP Rating
51530	OT40/UNV/1110E*	IP66

* Constant current power supply (1.11A). UL 1310 and UL 48 recognized for US & Canada. Class 2 unit



OSRAM SYLVANIA
National Customer
Service and Sales Center
18725 N. Union Street
Westfield, IN 46074 USA

Industrial Commercial
Phone: 1-800-255-5042
Fax: 1-800-255-5043

National Accounts
Phone: 1-800-562-4671
Fax: 1-800-562-4674

OEM/Specialty Markets
Phone: 1-800-762-7191
Fax: 1-800-762-7192

Display/Optic
Phone: 1-888-677-2627
Fax: 1-800-762-7192

In Canada
OSRAM SYLVANIA LTD
Headquarters
2001 Drew Road
Mississauga, ON L5S 1S4

Industrial Commercial
Phone: 1-800-263-2852
Fax: 1-800-667-6772

Special Markets
Phone: 1-800-265-2852
Fax: 1-800-667-6772

Visit our website: www.sylvania.com

SYLVANIA is a registered trademark of OSRAM SYLVANIA Inc
SEE THE WORLD IN A NEW LIGHT is a registered trademark of OSRAM SYLVANIA Inc
OPTOTRONIC is a registered trademark of OSRAM GmbH
All other trademarks are those of their respective owners